

**Introduction**

**NOISESTOP** Composite Isolation Pad is a new floor acoustic underlayment made by recycle rubber. Stones, ceramic tiles, and various wood finishes can direct adhere on the Isolation Pad. They are effective at controlling impact noise and save a lot of installation space.

**NOISESTOP** Composite Isolation Pad is available in RR6000 and RR6000F models. Typical applications include hotels, apartments, and offices. RR6000 is engineered for direct adhered stone and ceramic tile. RR6000F is engineered for direct adhered stone and wood finish.

**Features**


One-step easy installation for direct adhered on floor finish. Saving installation space. Low installation cost. Highly durable characteristics. Anti--moisture and not easy to go mouldy. Superior Sound Control.

**Acoustic Performance**

Project	Test Standard	Result
		RR6000F
STC	ASTM E90-09	61
IIC	ASTM E492-09	55

HOKLAS accredited test report.  
 Tested in accordance with 《ASTM E492-09》.  
 Test Conditions :  
 HOKLAS accredited laboratory , test area 11m<sup>2</sup> , volume of Receiving Reverberation chamber is 154m<sup>3</sup> .

Product	Impact Sound Pressure Level (dB)							IIC
	125	250	500	1000	2000	4000		
<b>NOISESTOP</b> RR6000F	62	59	54	48	41	22	55	

150mm Concrete Base	RR6000F System		
Value	Value	Improve	Requirement
IIC=27	IIC=55	△IIC=28	52
STC=52	STC=61	△STC=9	52

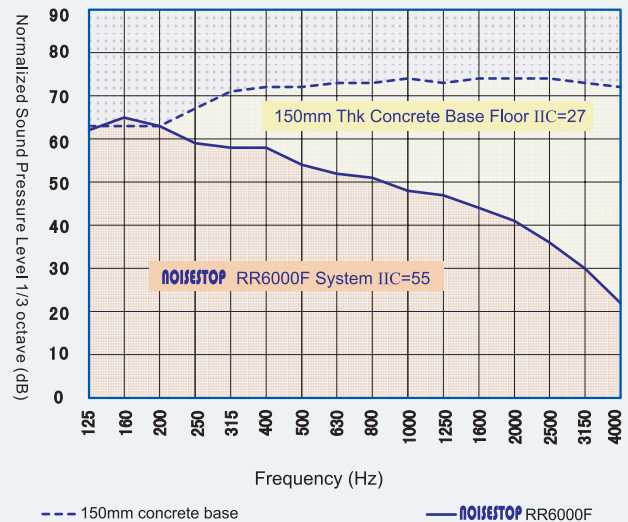
**Physical Properties**

Tested in accordance with 《HG/T 3843-2008》 .

Product	Design Load (kg/m <sup>2</sup> )
<b>NOISESTOP</b> RR6000	1600~2400
<b>NOISESTOP</b> RR6000F	1000~2000

**Product Specification**

Model	Thickness	Surface Density	Size	Colour
<b>NOISESTOP</b> RR6000	5, 10mm	7.0 kg/m <sup>2</sup>	10m×1m	Mixed
<b>NOISESTOP</b> RR6000F	5, 10mm	6.5 kg/m <sup>2</sup>	10m×1m	Black



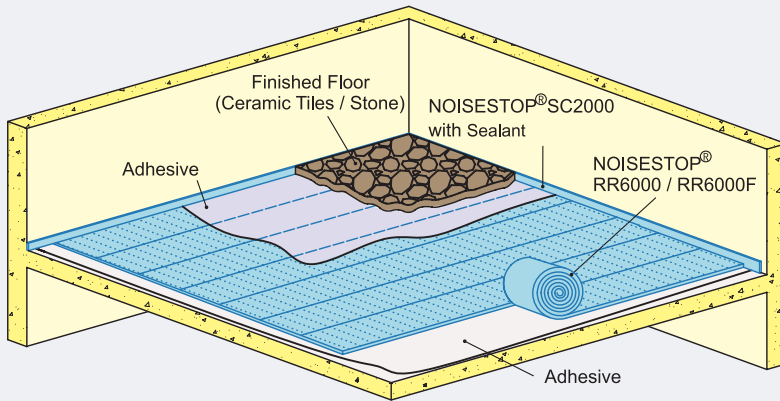
Tested System: 150mm concrete base floor+10mm thk RR6000F +40mm screed

Normalized Impact Sound Pressure Level Curve

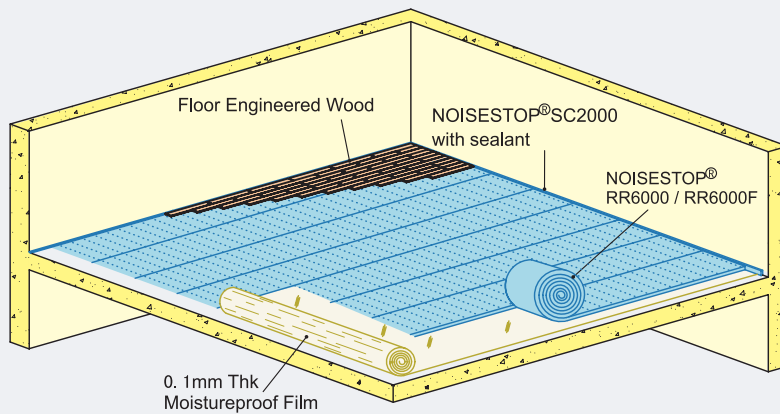


Nanjing JingAu Hotel

**Dry Type Installation Drawings**

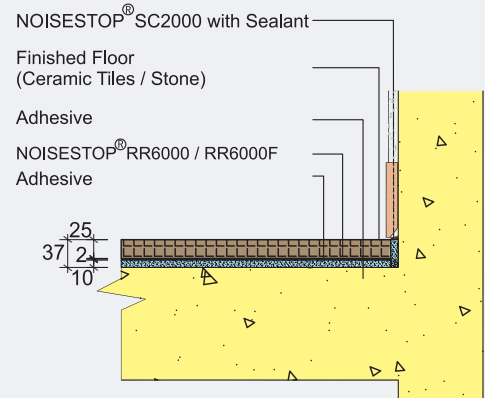


**Dry Type Installation**  
(Direct Install Under Ceramic Tiles / Stone)



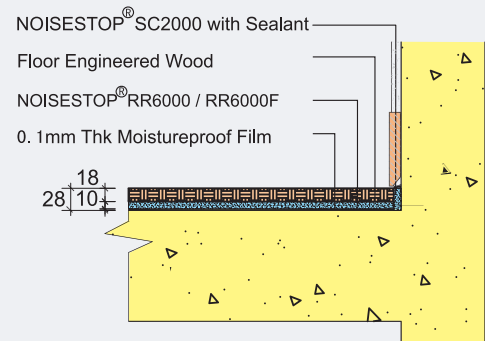
**Wood Flooring Installation**

System Height 37mm



Typical Section

System Height 28mm



Typical Section

**Dry Type Installation Photos**



Direct Install under Stone



Wood Flooring Installation